

FIG. 1
PRIOR ART

Replacement Sheet



FIG. 2

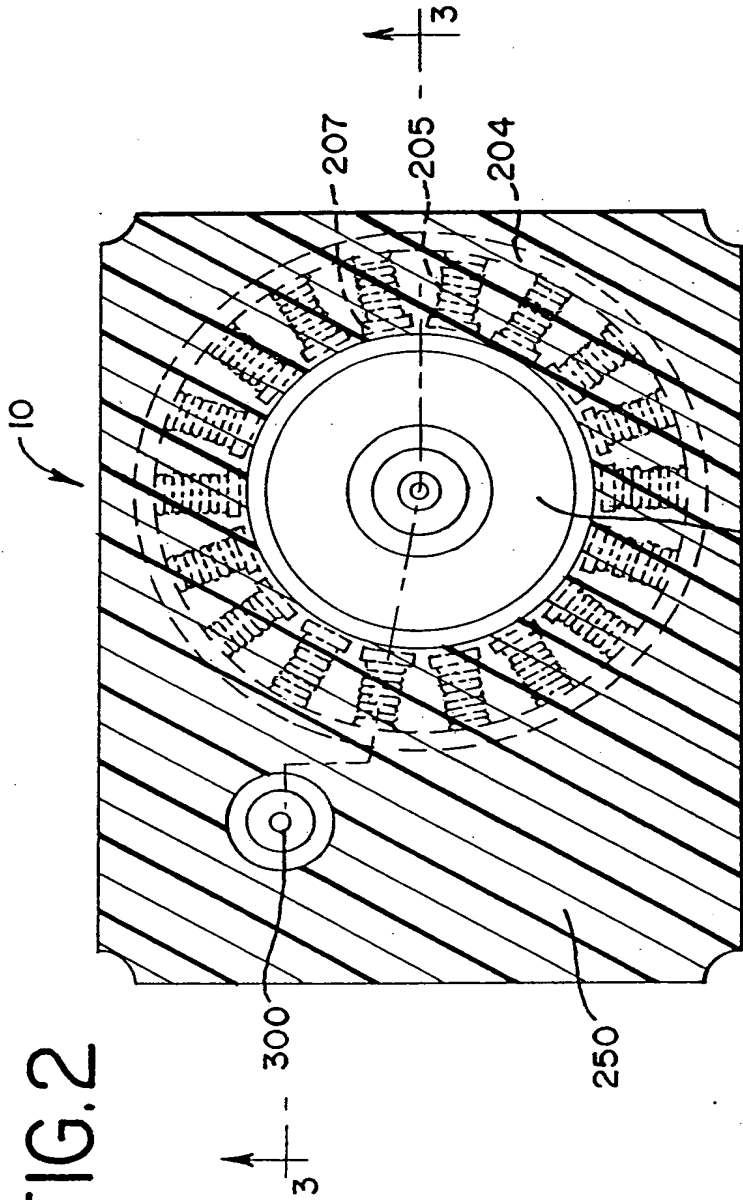
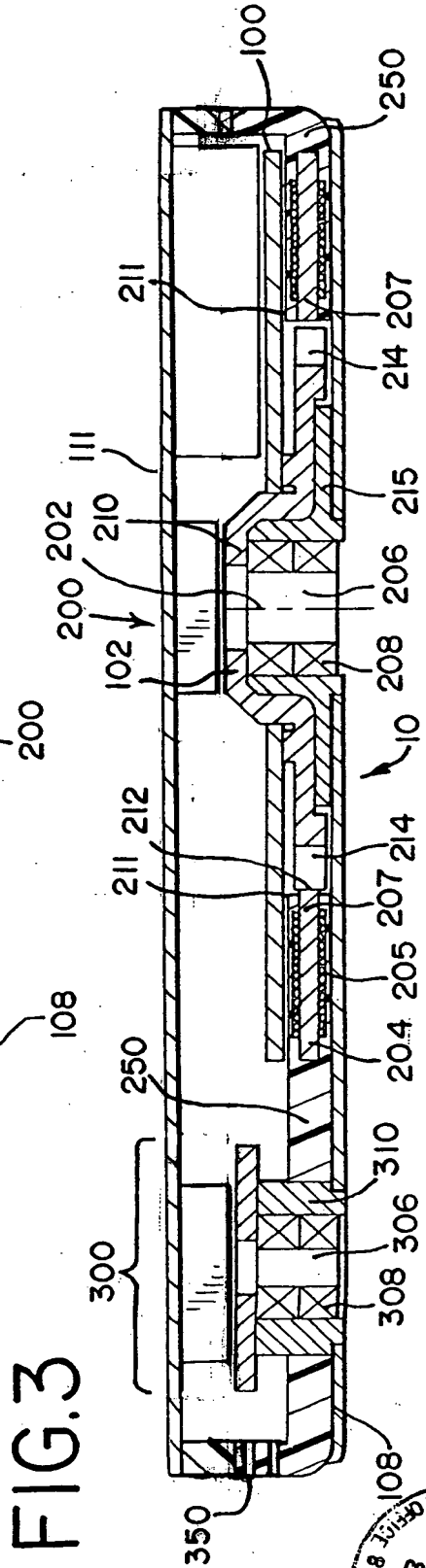


FIG. 3



O.P.M.
FEB 11 2005
PATENT & TRADEMARK OFFICE

Replacement Sheet

Replacement Sheet

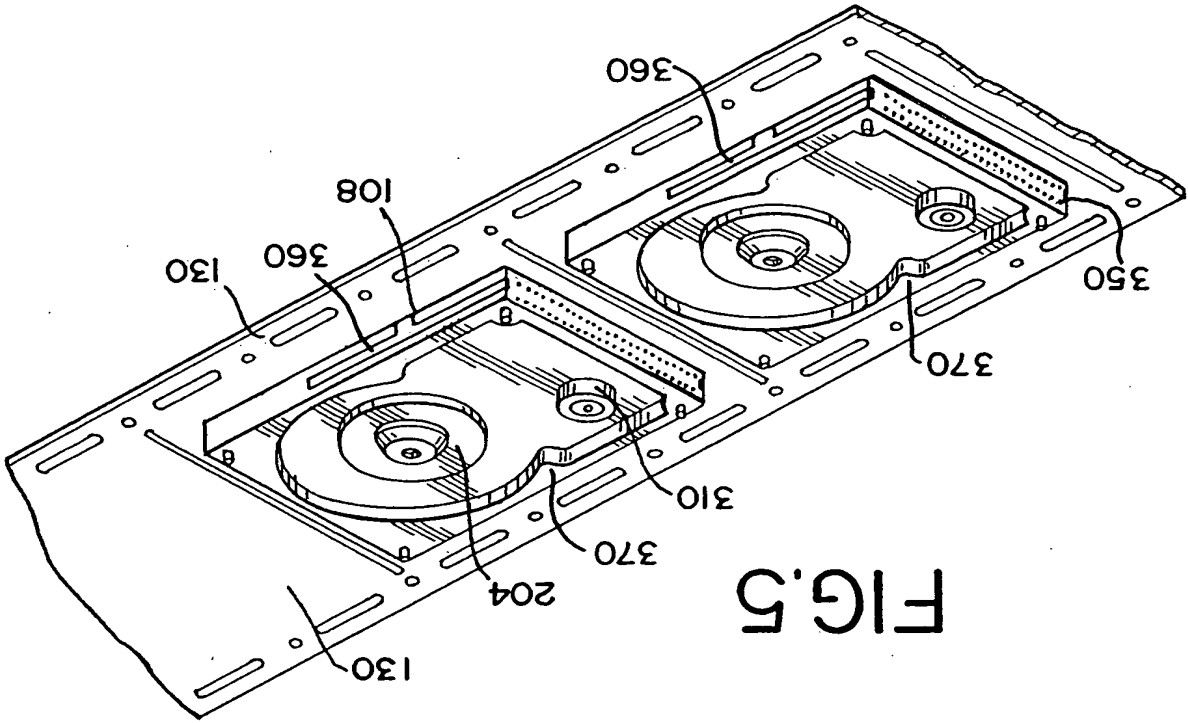


FIG. 5

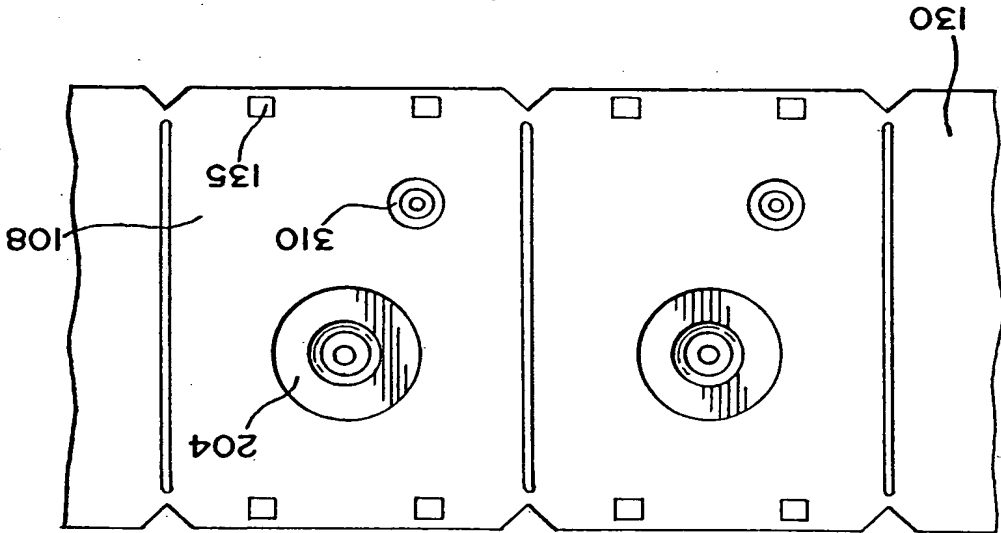
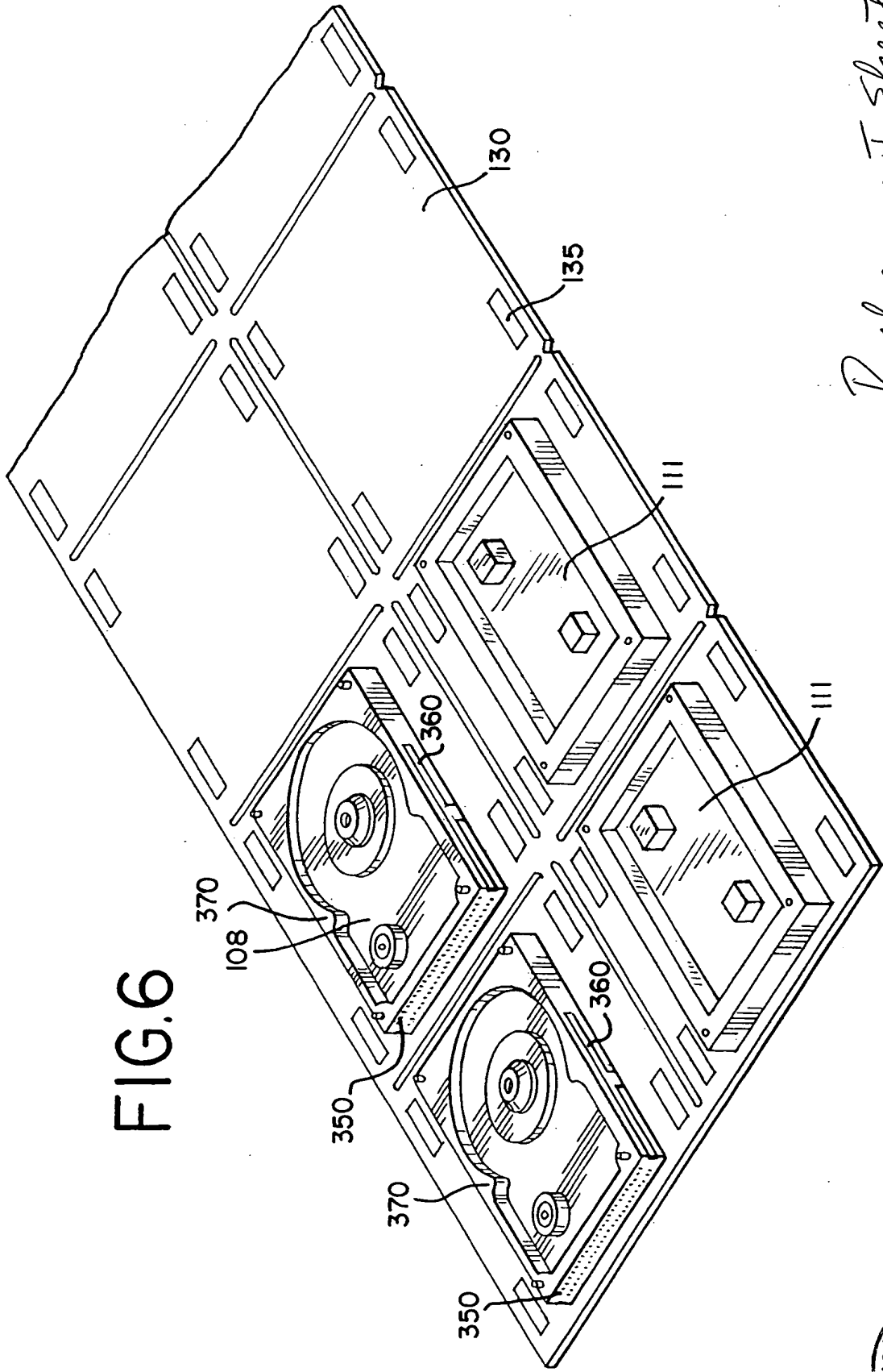


FIG. 4

FIG.6



Replacement sheet

